

DIODE LOCATION ON  
SINGLE MAGNETRON  
OVENS

CAPACITOR

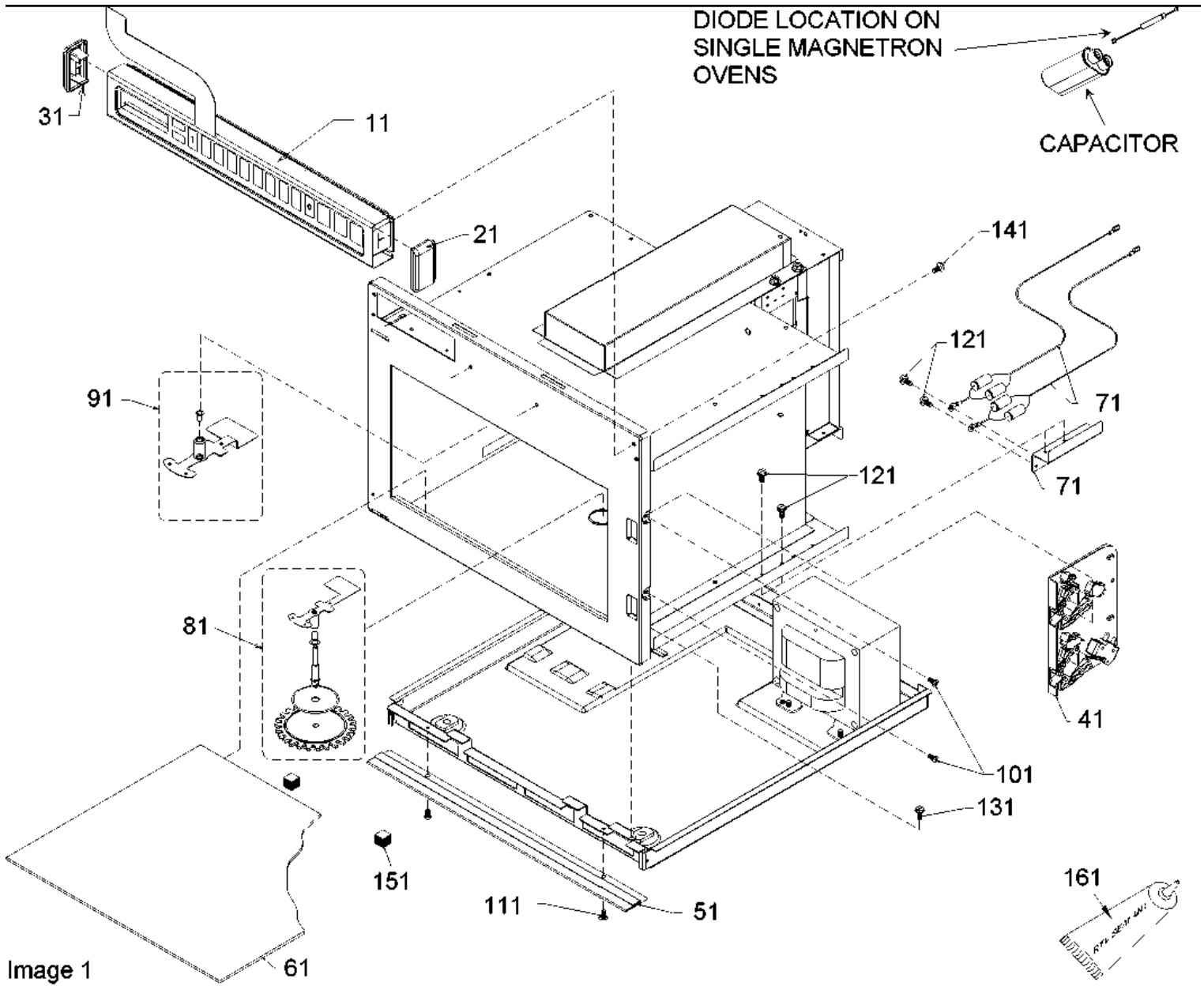
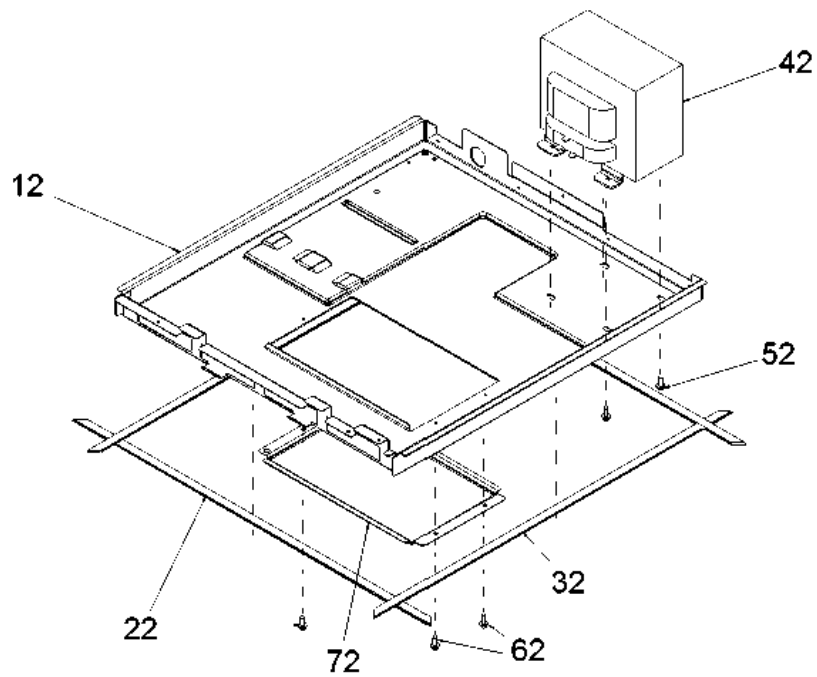


Image 1

Image 2



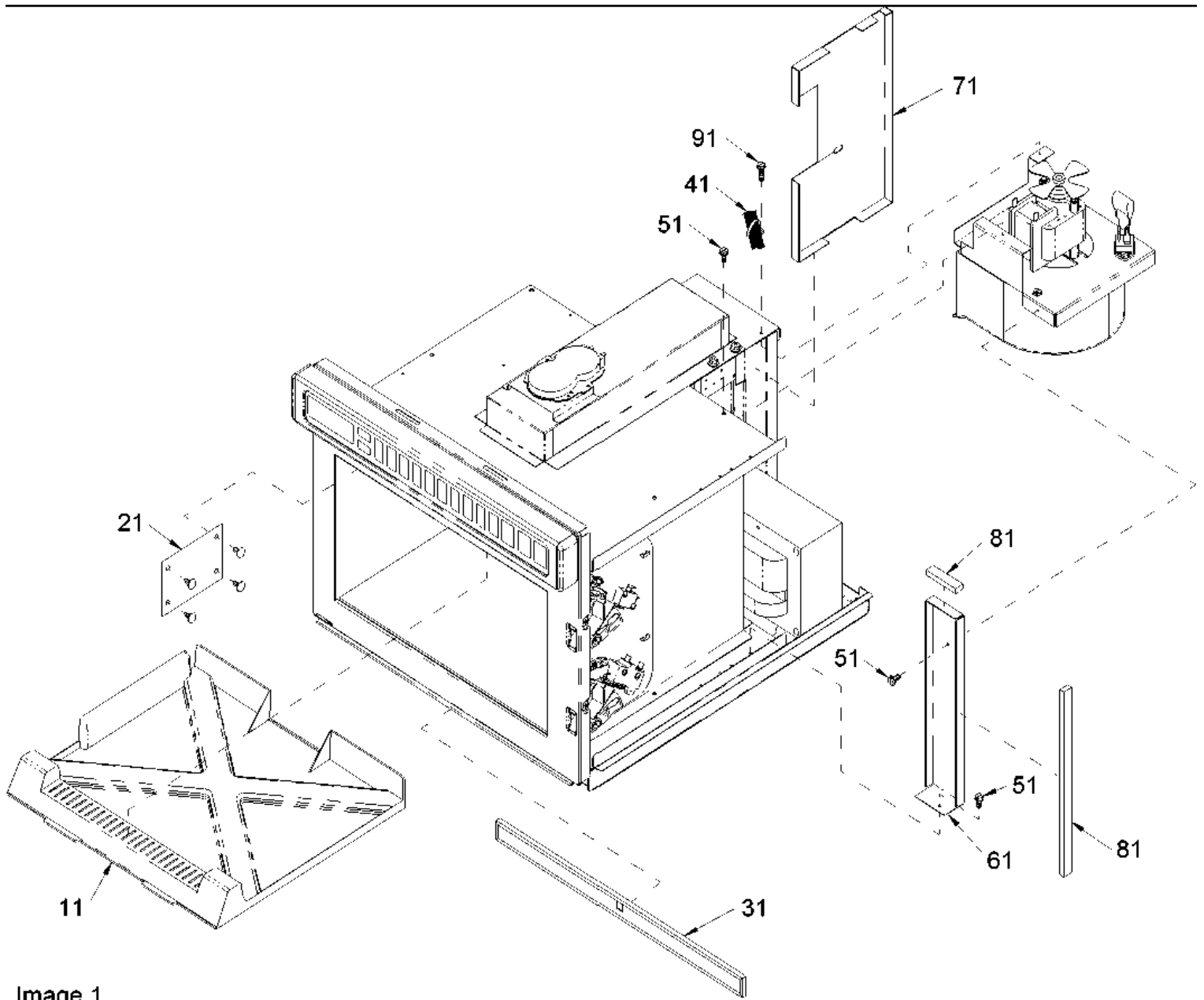
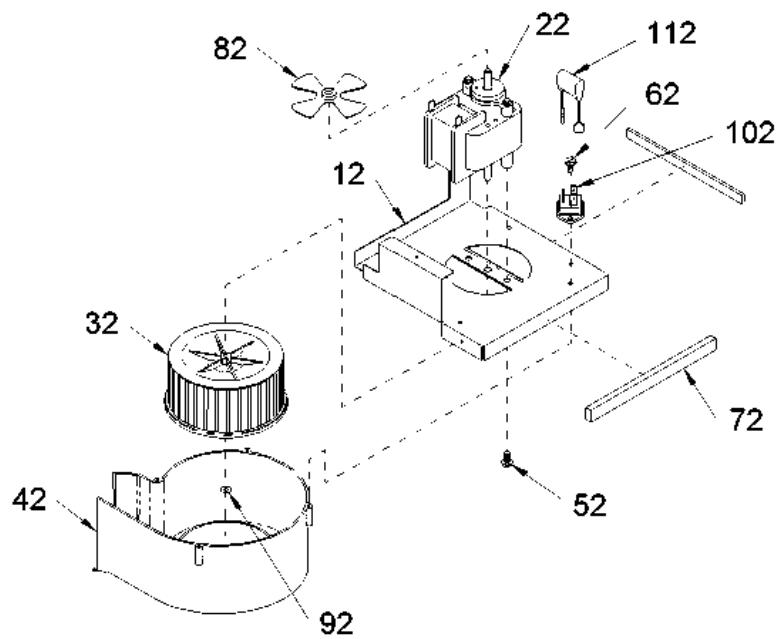
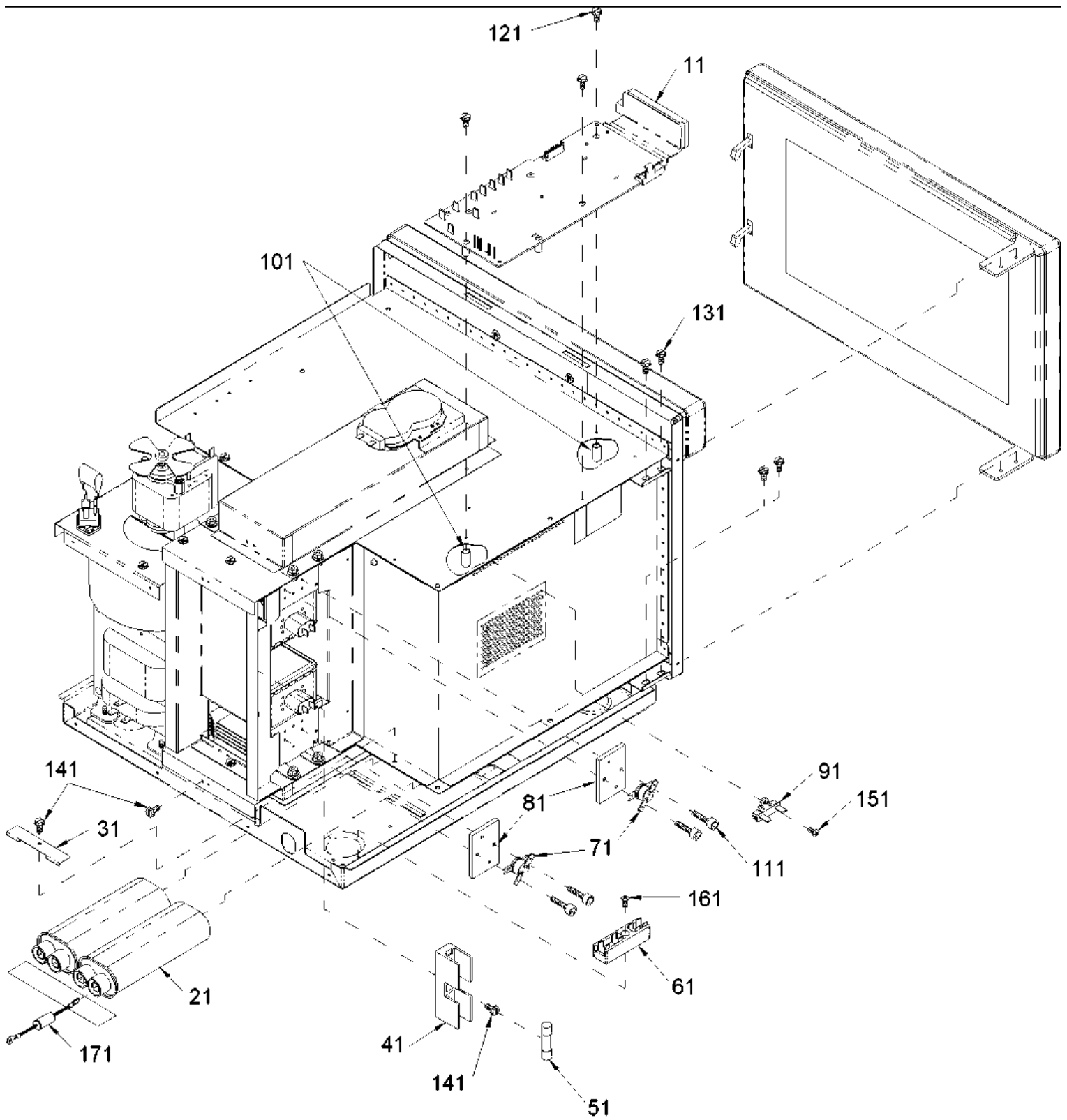
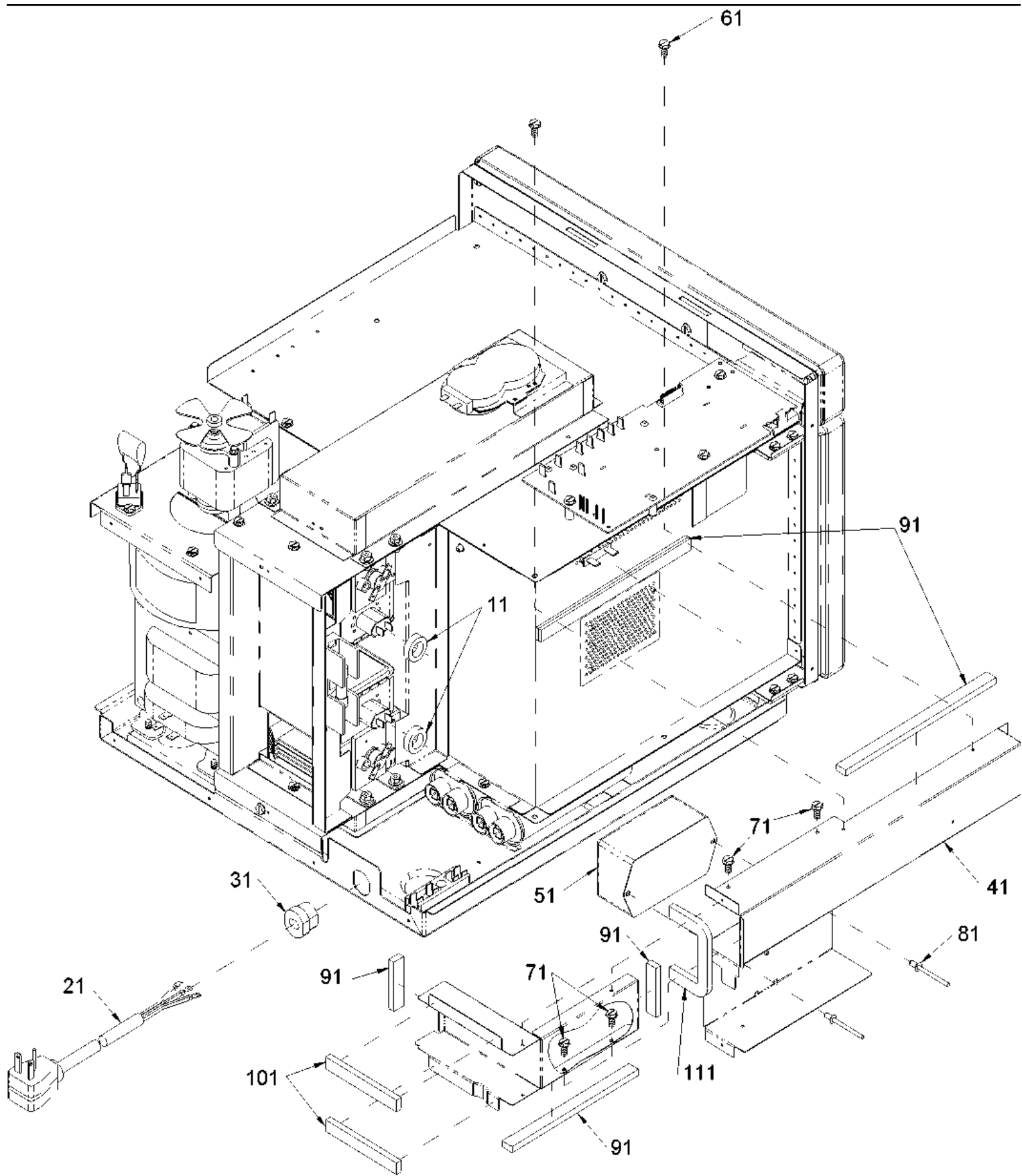


Image 1

Image 2







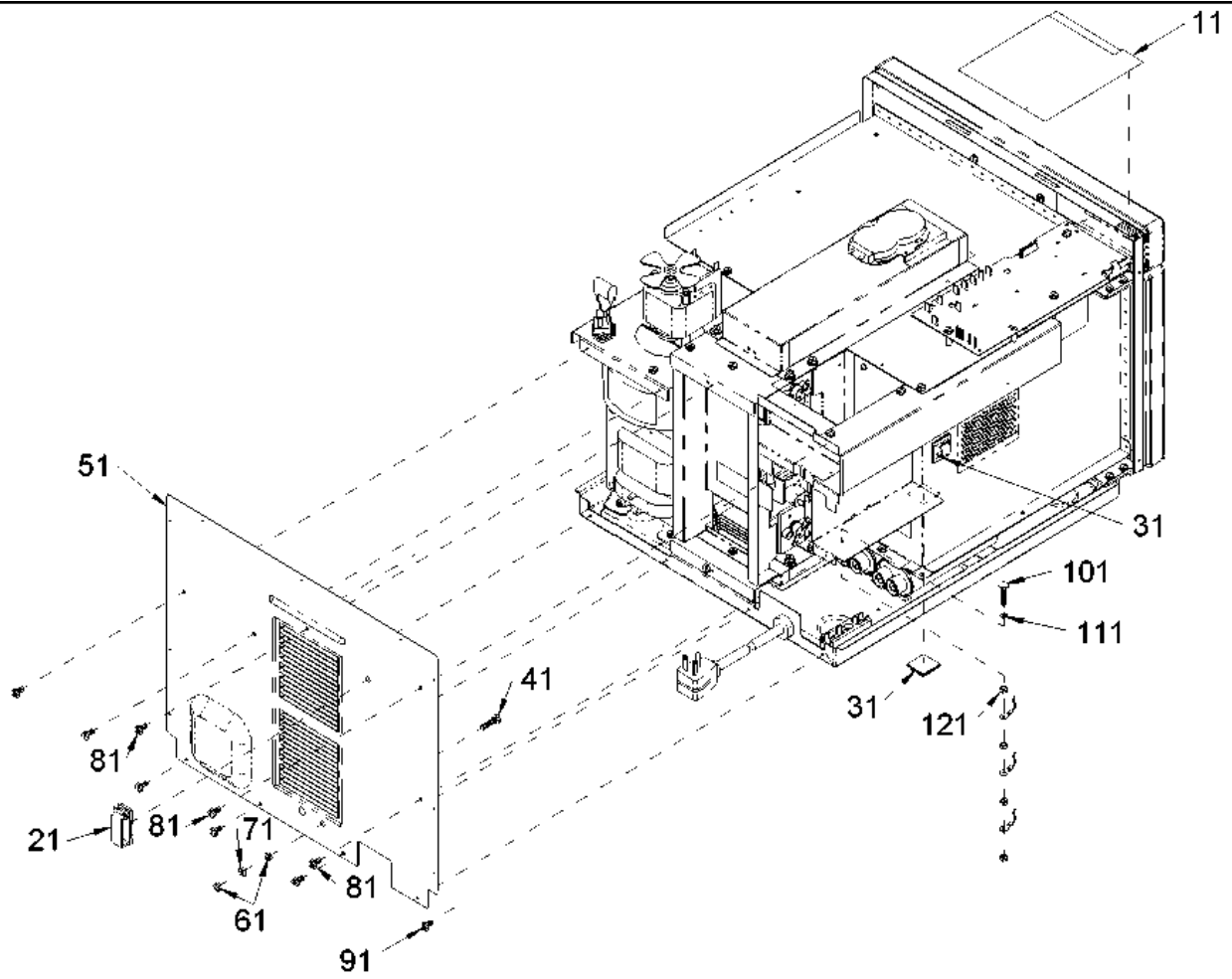
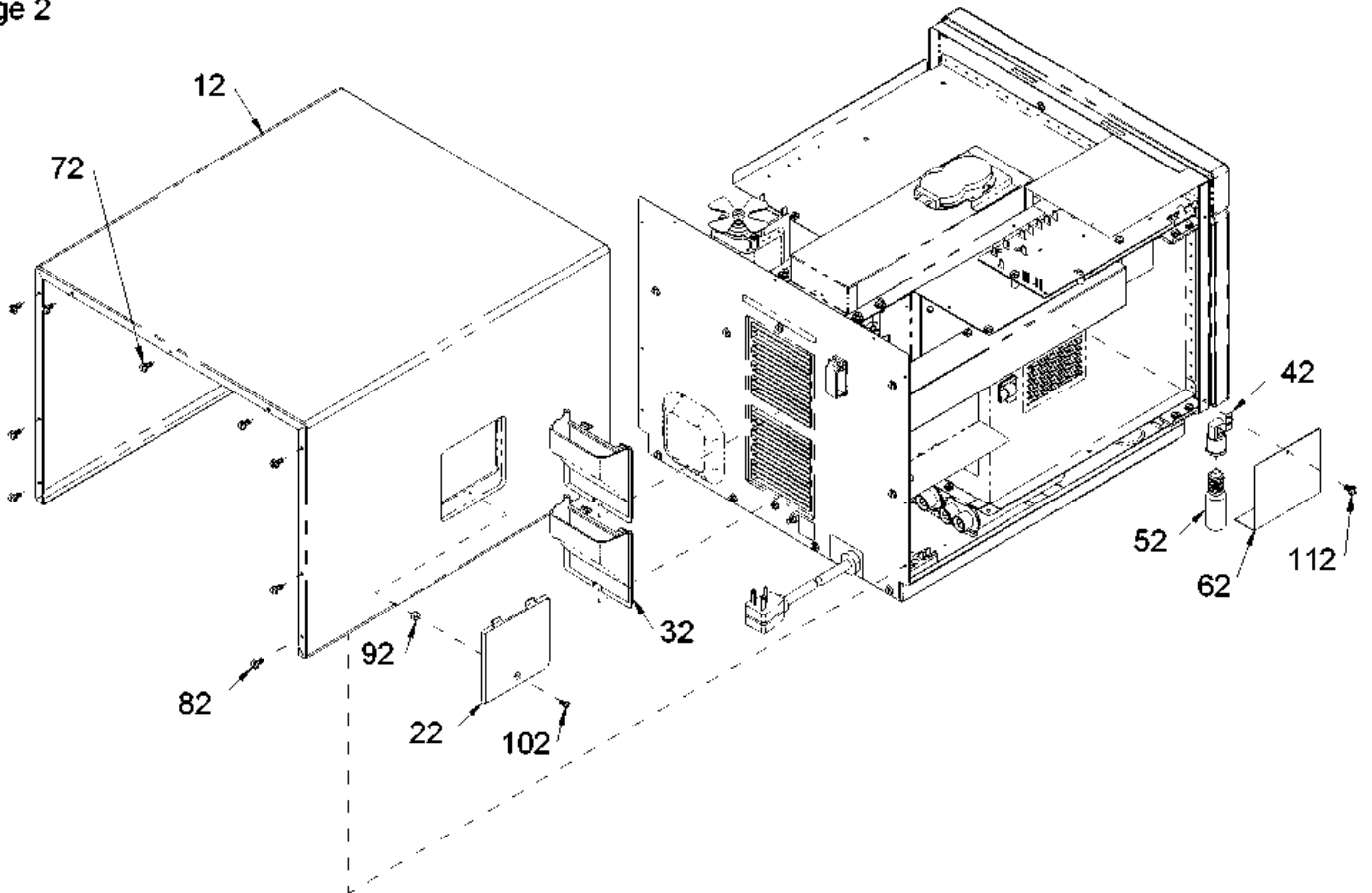


Image 1

Image 2



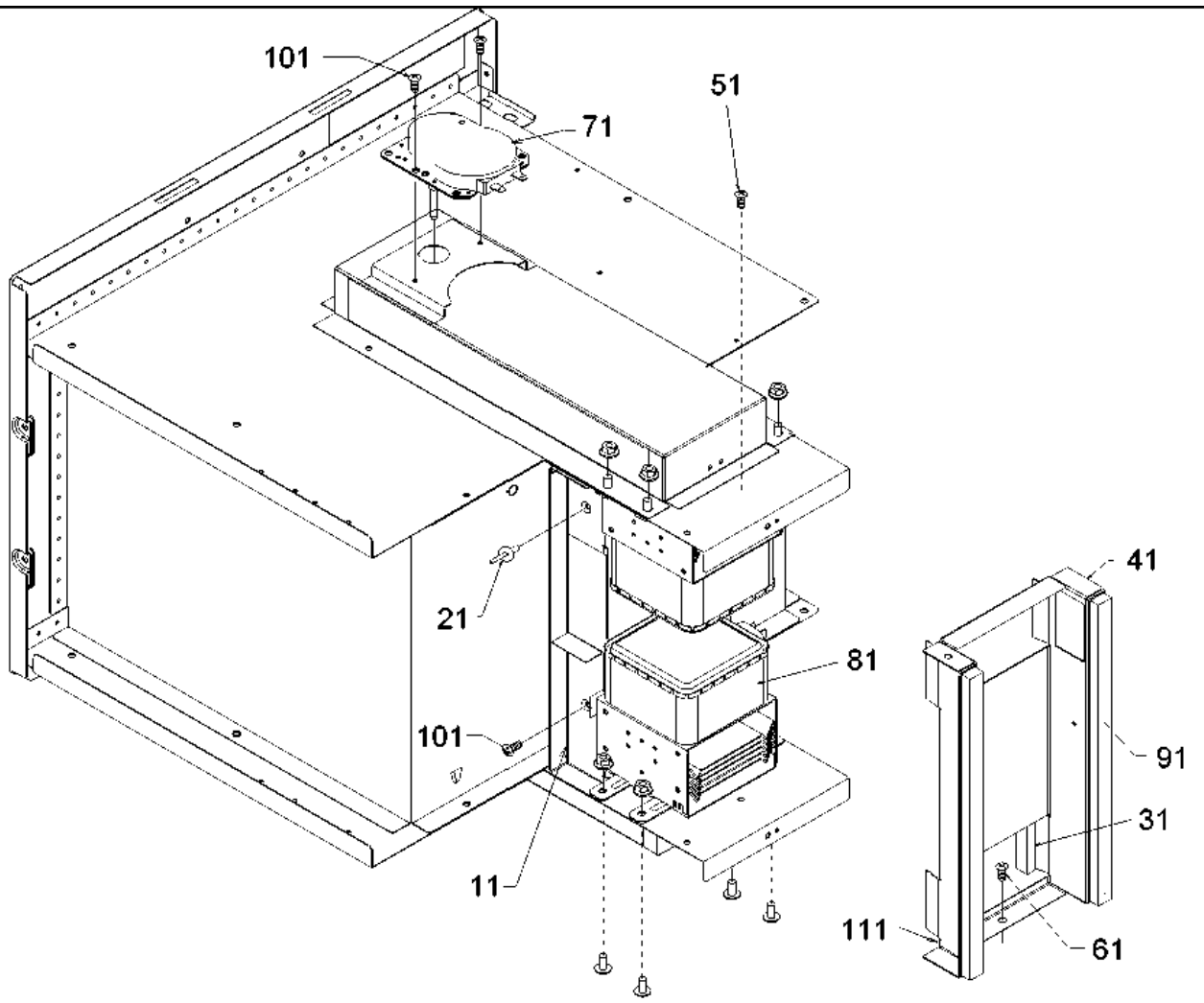


Image 1

Image 2

