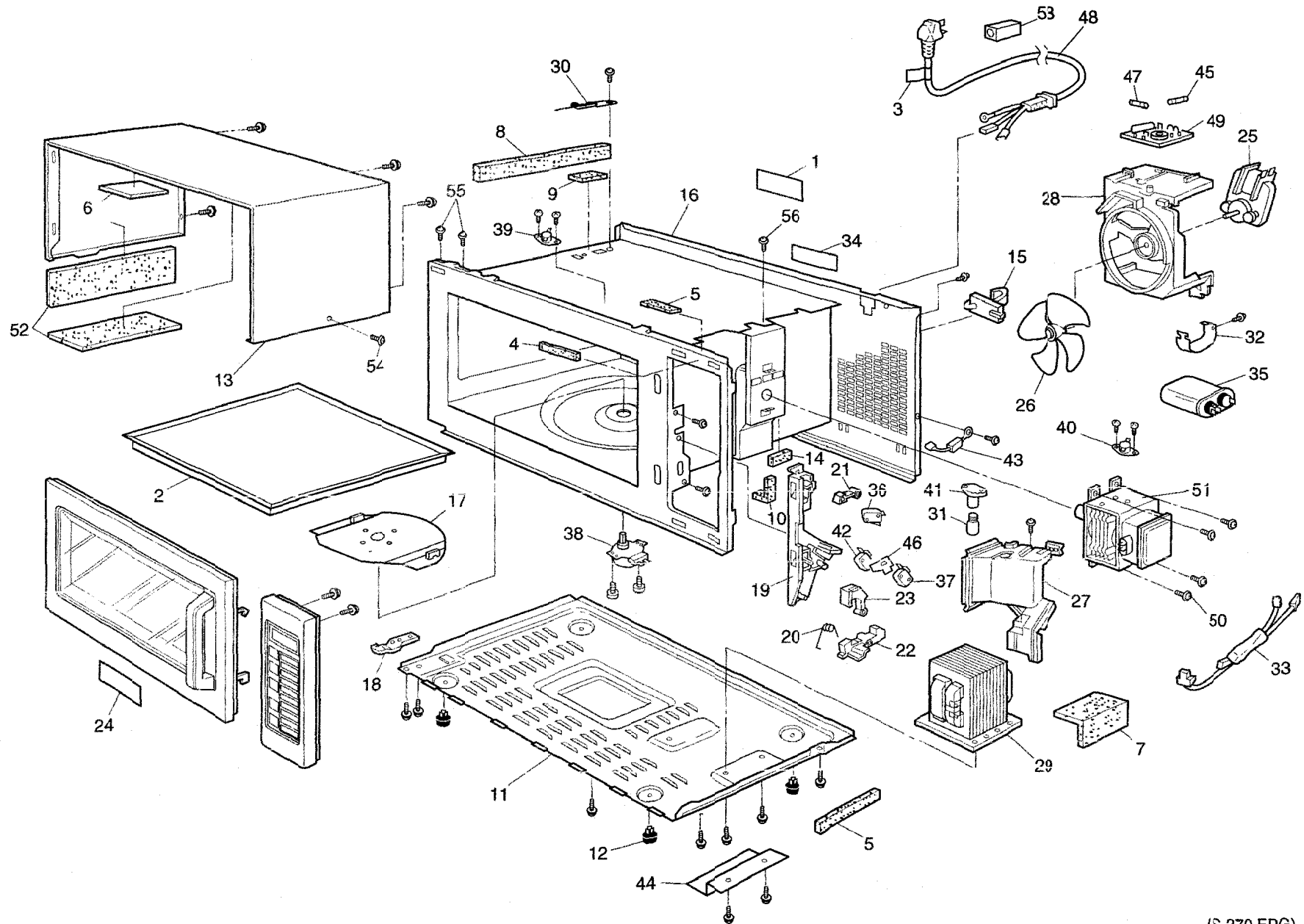


EXPLODED VIEW



EXPLODED VIEW AND PARTS LIST

PARTS LIST

NOTE : When ordering replacement part(s), please use part number(s) shown in this parts list.

Do not use description of the part.

: Important safety notice:

Components identified by \triangle mark have special characteristics important for safety.

When replacing any of these components, use only manufacturer's specified parts.

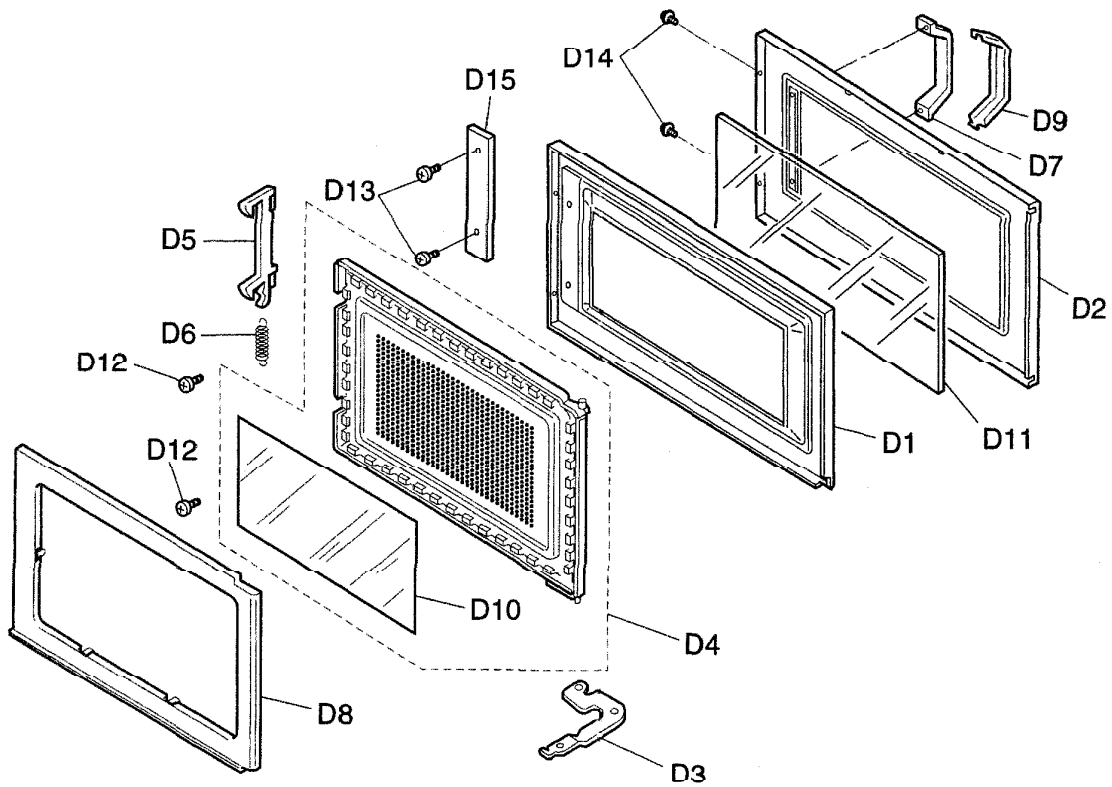
Ref. No.	Part No.	Part Name & Description	Pcs/ Set	Remarks
1	ANE00068U0EP	CAUTION LABEL	1	NE-1027,NE-1037 EPG
1	ANE00062Q0EP	CAUTION LABEL	1	NE-1037 SPG
2	A010T3700BP	SHELF	1	
3	ANE0239X70SP	CORD LABEL	1	NE-1027 SPG,NE-1037 SPG
4	ANE0921000AH	CUSHION RUBBER C	1	
5	ANE000Z000AD	CUSHION RUBBER C	2	
6	ANE0921000JK	CUSHION RUBBER C	1	
7	ANE0912000QG	CUSHION RUBBER B	1	
8	ANE0962000AQ	CUSHION RUBBER D	1	
9	ANE0962000CD	CUSHION RUBBER D	1	
10	ANE0963000BD	CUSHION RUBBER D	1	
11	A10013700BP	BASE	1	
12	A1008-1180	RUBBER FOOT	4	
13	A10093700BP	CABINET BODY	1	
14	A10493700BP	CUSHION RUBBER	1	
15	A11407000AP	STOPPER	1	
16	A200A3700BP	OVEN	1	(NOTE 1)
17	A203P3700BP	ANTENNA (U)	1	
18	A30073700BP	LOWER HINGE	1	
19	A3020-1480	DOOR HOOK A	1	
20	A3097-1480	SPRING	1	
21	A3136-1480	HOOK SPACER A	1	
22	A3137-1480	HOOK SPACER B	1	
23	A3138-1480	HOOK SPACER C	1	
24	A31863710BP	DOOR PANEL	1	NE-1027
24	A31863700BP	DOOR PANEL	1	NE-1037
25	\triangle A400A3700BP	FAN MOTOR	1	(26W)
26	A4008-1480	FAN	1	
27	A40253700BP	AIR GUIDE A	1	
28	A41445540AP	ORIFICE	1	
29	\triangle A600B3700BP	H.V.TRANSFORMER	1	(1.7KVA)
30	\triangle A601L-1540	TEMP SENSOR	1	NE-1037
31	A60304080BP	INCANDESCENT LAMP	1	20W/240V
32	A60374760GP	CAPACITOR BRACKET	1	
33	A606V3700BP	PROTECTOR DIODE	1	
34	A05243710EP	NAME LABEL	1	NE-1027 EPG
34	A05243710SP	NAME LABEL	1	NE-1027 SPG
34	A05243700EP	NAME LABEL	1	NE-1037 EPG
34	A05243700SP	NAME LABEL	1	NE-1037 SPG
35	\triangle A60904080GP	H.V.CAPACITOR	1	(1.14MF,AC2100V)
36	\triangle A6142-1450	MICROSWITCH	1	(V-16G-3C26) PRIMARY LATCH SWITCH
37	\triangle A6142-1450	MICROSWITCH	1	NE-1027 (V-16G-3C26) SECONDARY LATCH SWITCH
37	\triangle A61425180AP	MICROSWITCH	1	NE-1037 (L-3C2-2) SECONDARY LATCH SWITCH
38	\triangle A61443660AP	ANTENNA MOTOR	1	(3W)
39	\triangle A61454000AP	THERMAL CUTOUT	1	NE-1027 (FOR OVEN)
40	\triangle A61455840GP	THERMAL CUTOUT	1	(FOR MAGNETRON)
41	\triangle A61524650AP	SOCKET	1	
42	ANE6161-3X0	MICRO SWITCH	1	(V-16G-1C25) SHORT SWITCH
43	A62024000AP	DIODE,SI	1	
44	A10403700BP	BASE BRACKET	1	
45	\triangle A62304210BP	FUSE	1	(10A)
46	A63064000AP	INSULATION SHEET R	1	NE-1027
47	\triangle A65953700BP	FUSE B	1	(2.5A)
48	\triangle A900C6490EP	AC CORD W/PLUG	1	(230V)

(S-370 EPG)

Ref. No.		Part No.	Part Name & Description	Pcs/ Set	Remarks
49		A692Y3710BP	NOISE FILTER (U)	1	
50		XTWANE4+10RU	SCREW	4	(4X10) FOR MAGNETRON
51	△	2M244-M6E6	MAGNETRON	1	
52		A12213700BP	BODY CUSHION RUBBER	2	
53		A90353700BP	CORD CASE	1	
54		XTC4+10BC	SCREW	1	(4X10) FOR CABINET BODY
55		XYF4+AF8	SCREW	2	(4X8) FOR HINGE
56		XYCA4+BE12	SCREW	1	(4X12) FOR EARTH

NOTE 1 : Please order name plate together.

DOOR ASSEMBLY

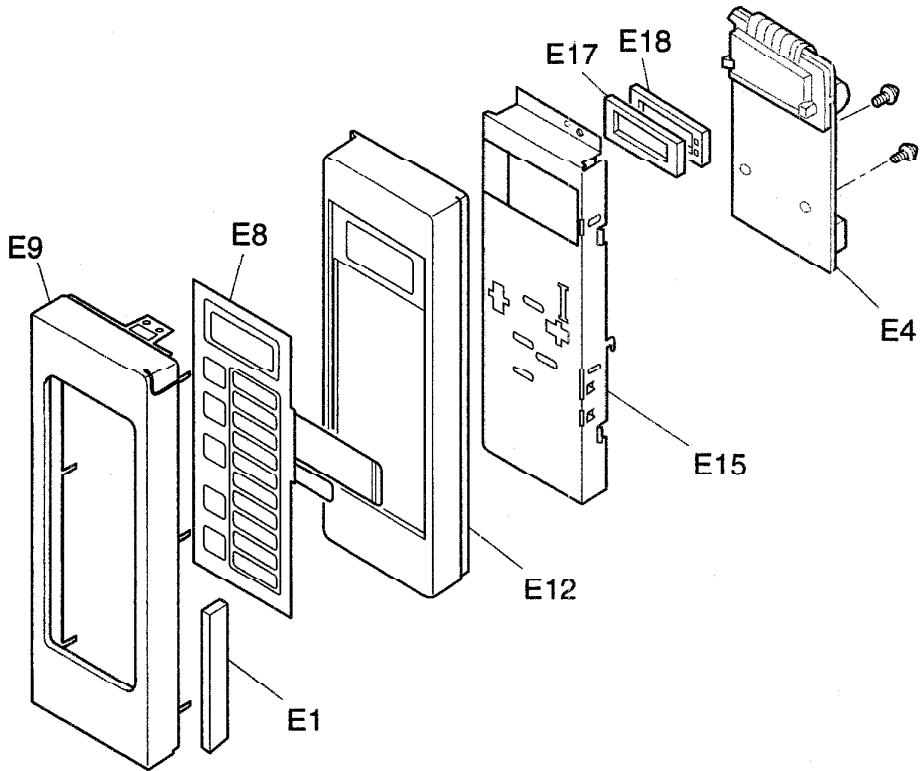


(S-370 EPG)

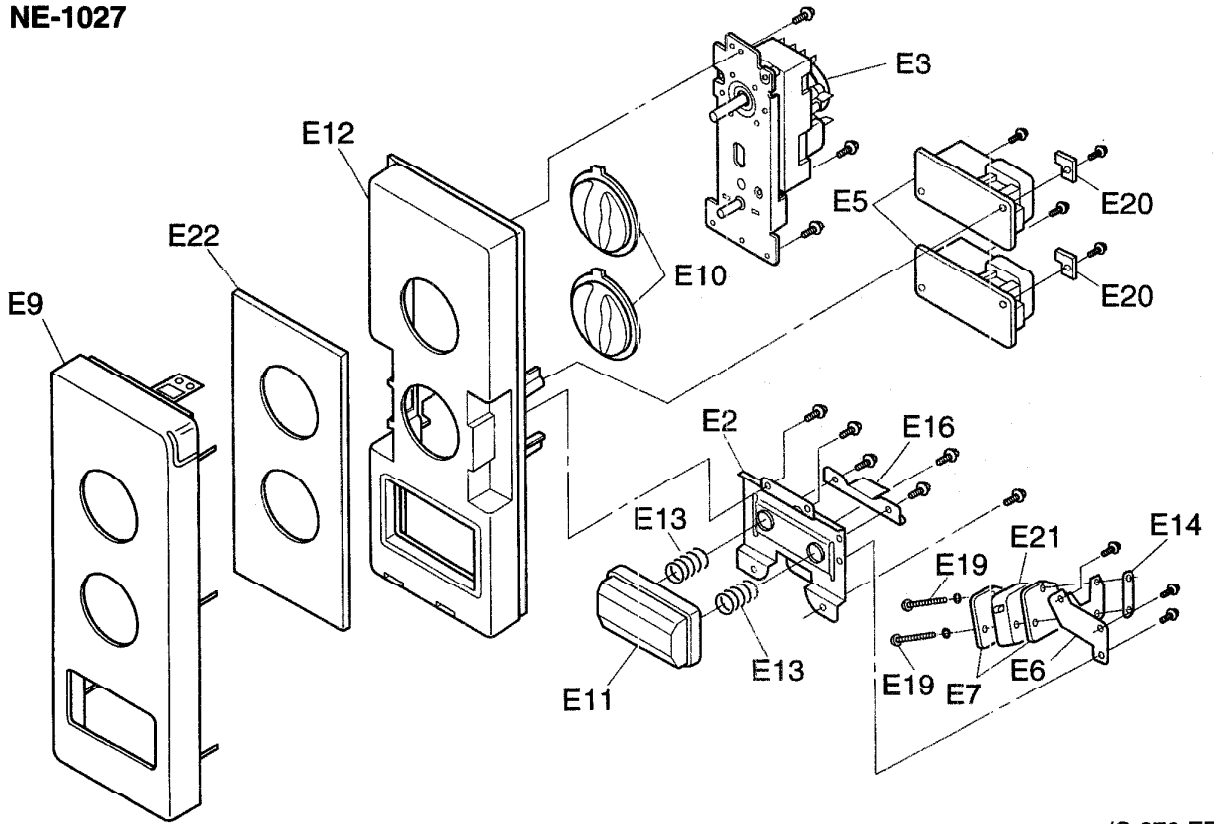
Ref. No.	Part No.	Part Name & Description	Pcs/ Set	Remarks
D1	A300A3700AP	DOOR B (U)	1	
D2	A30013700AP	DOOR A (U)	1	
D3	A30063700BP	UPPER HINGE	1	
D4	A302K3700BP	DOOR E (U)	1	
D5	A3018-1480	DOOR KEY A	1	
D6	A30214000AP	DOOR KEY SPRING	1	
D7	A30703170GP	HANDLE PEICE A	1	
D8	A30858960HN	DOOR C	1	
D9	ANE31348U0AP	HANDLE PEICE B	1	
D10	A31453700BP	DOOR SCREEN A	1	
D11	A31463700AP	DOOR SCREEN B (U)	1	
D12	XTNWANE4+8BN	SCREW	2	(4X8)
D13	XYEANE4+C16T	SCREW	2	(4X16)
D14	XTBANE3+8BC	SCREW	2	(3X8)
D15	A32863700AP	HANDLE SPACER	1	

ESCUTCHEON BASE ASSEMBLY

NE-1037



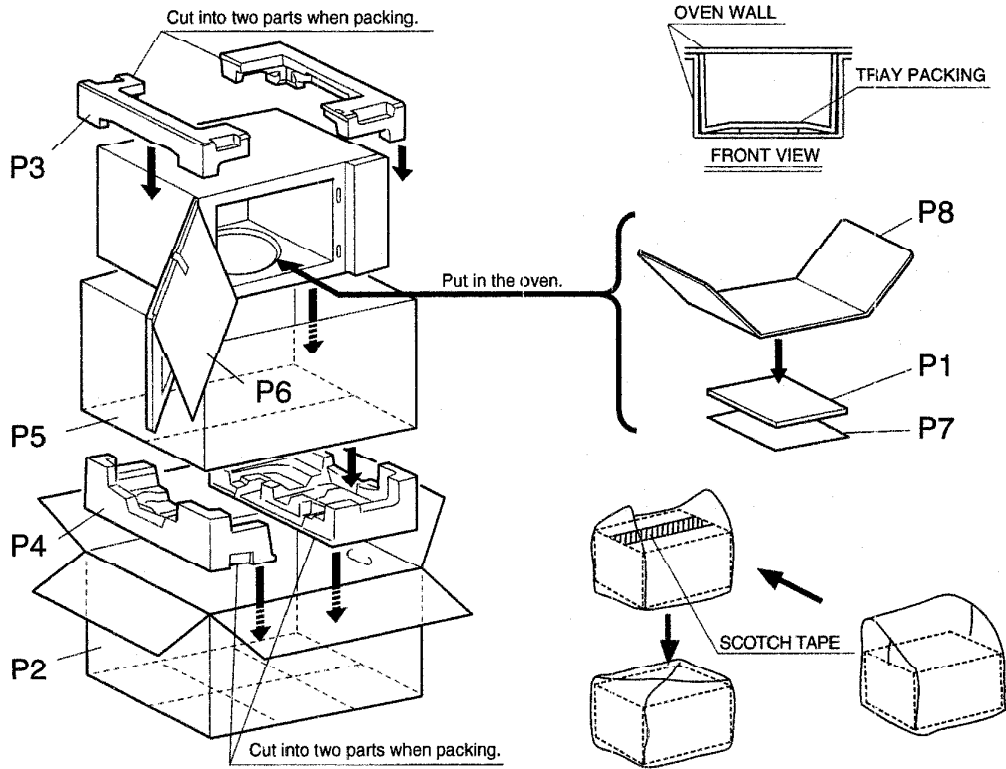
NE-1027



(S-370 EPG)

Ref. No.		Part No.	Part Name & Description	Pcs/ Set	Remarks
E1		A80253700BP	CUSHION RUBBER A	1	NE-1037
E2		A600X3710BP	START SWITCH BRACKET	1	NE-1027
E3	⚠	E60018060BP	TIMER	1	NE-1027
E4	⚠	A603L3700BP	D.P.CIRCUIT (U)	1	NE-1037 RTL (W/COMPONENT)
E5		A606X3710BP	INRUSH REDUCING CIRCUIT	2	NE-1027
E6		A61623710BP	START SWITCH BRACKET	1	NE-1027
E7		ANE6306910AP	INSULATION SHEET R	2	NE-1027
E8	⚠	A64793700BP	MEMBRANE SWITCH	1	NE-1037
E9		A800N3710BP	ESCUTCHEON A	1	NE-1027
E9		A800N3700AP	ESCUTCHEON A	1	NE-1037
E10		A80203710BP	TIMER KNOB	2	NE-1027
E11		ANE8024P00RN	COOK BUTTON	1	NE-1027
E12		A80343710BP	ESCUTCHEON BASE	1	NE-1027
E12		A80343700AP	ESCUTCHEON BASE	1	NE-1037
E13		ANE8037P00RN	COOK BUTTON SPRING	2	NE-1027
E14		ANE6633P60AP	SPACER B	1	NE-1027
E15		A81273700AP	BACK PANEL	1	NE-1037
E16		A81903710BP	COOK LEVER	1	NE-1027
E17		A82843200BP	SPACER CUSHION	1	NE-1037
E18		A83423200BP	CUSHION RUBBER B	1	NE-1037
E19		XYN3+F18S	SCREW	2	NE-1027 (3X18)
E20		A62383710BP	SPACER	2	NE-1027
E21		A6142-1450	MICROSWITCH	1	NE-1027 (V-16G-3C26)
E22		A80163710BP	ESCUTCHEON SPACER	1	NE-1027

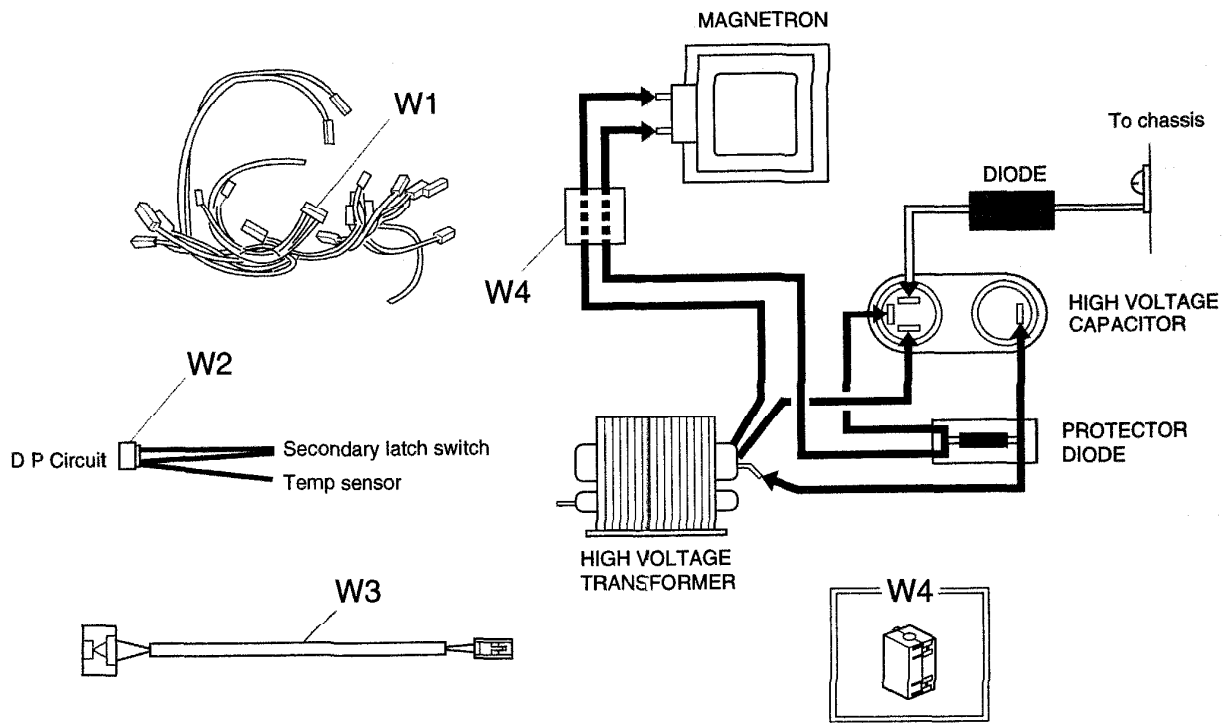
PACKING AND ACCESSORIES



(S-370 EPG)

Ref. No.	Part No.	Part Name & Description	Pcs/ Set	Remarks
P1	A00033700EP	INSTRUCTION BOOK	1	NE-1027EPG,NE-1037 EPG
P1	A00033700SP	INSTRUCTION BOOK	1	NE-1027SPG,NE-1037 SPG
P2	A01023710EP	PACKING CASE,PAPER	1	NE-1027 EPG
P2	A01023710SP	PACKING CASE,PAPER	1	NE-1027 SPG
P2	A01023700EP	PACKING CASE,PAPER	1	NE-1037 EPG
P2	A01023700SP	PACKING CASE,PAPER	1	NE-1037 SPG
P3	A01043700BP	UPPER FILLER	1	
P4	A01053700BP	LOWER FILLER	1	
P5	A01064830AP	VINYL COVER	1	
P6	ANE01072Q0AP	DOOR SHEET	1	
P7	A04203700EP	OPERATING GUIDE	1	NE-1037 EPG
P7	A04203700SP	OPERATING GUIDE	1	NE-1037 SPG
P8	A01083700BP	TRAY PACKING	1	

WIRING MATERIAL



(S-370 EPG)

Ref. No.	Part No.	Part Name & Description	Pcs/ Set	Remarks
W1	A030A3710BP	LEAD WIRE HARNESS	1	NE-1027
W1	A030A3700BP	LEAD WIRE HARNESS	1	NE-1037
W2	A03533700BP	LEAD WIRE	1	NE-1037
W3	A03553700BP	LEAD WIRE	1	
W4	A50966520UP	FERRITE CORE	1	

Ref. No.		Part No.	Part Name & Description	Pcs/ Set	Remarks
REF NO. 49 NOISE FILTER (U)					
C1		ECQU2A104MN	POLYESTER CAPACITOR	1	0.1MF,250V
C2,3	△	ECKMNA472AE	CERAMIC CAPACITOR	2	0.0047MF,250V
CN1		AEEMMD00703W	CONNECTOR	1	3PIN
F1		A62316010BP	FUSE HOLDER	2	
F2		A62316000GP	FUSE HOLDER	2	
L1		A621A-1810	FILTER COIL	1	
R1		ERF10ZXJ240Z	RESISTOR	1	24Ω,10W,5%
R2		ERD25FJ564S	CARBON FILM RESISTOR	1	560KΩ,1/4W,5%
ZNR1		ERZC10DK621F	VARISTOR	1	
ZNR2,3		ERZC10DK112A	VARISTOR	2	